

The Toilet Express™



BRIGGS®



FEATURES

- Includes everything you need for a fast and easy installation
- Toilet bowl, tank and lid
- Matching plastic toilet seat
- Wax ring with sleeve
- Two flange bolts and bolt caps
- Two tank-to-bowl nuts and bolts
- Stain-resistant vitreous china
- Sanitary bar on bowl for ease of cleaning
- 18 1/8" x 9 3/4" footprint
- One year warranty on tank parts, toilet seat, wax ring and floor bolts
- Limited Lifetime Warranty

AVAILABLE COLORS



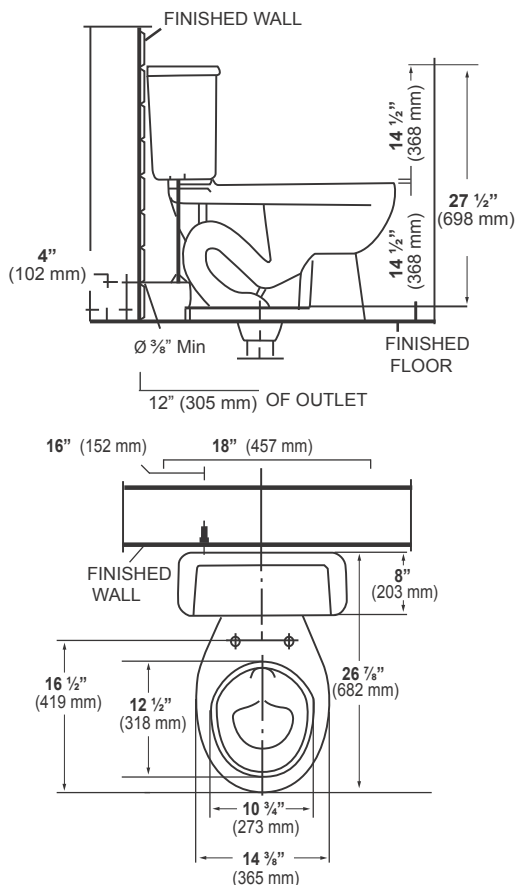
WHITE (130)

SPECIFICATIONS

- Model 7001: 12" rough-in round toilet, 75 lb, (34 kg) consists of bowl (Model 1260) and tank/lid (Model 2262)

INSTALLATION

- Installation instructions supplied
- Quick-connect system for easy tank-to-bowl installation



Dimensions may vary (+) or (-) 1/4". Dimensions shown in parentheses are in millimeters: 25.4 mm = 1 inch. Note: Fixture dimensions are nominal and conform with dimension and performance requirements of ASME A112.19.2-2008/CSA B45.1-08 standards. PSI rating: 20 minimum to 80 maximum per ASME A112.19.2-2008/CSA B45.1-08 standards. Dimensions subject to change or cancellation without notice. Briggs is not responsible for the use of superceded or voided specification information.